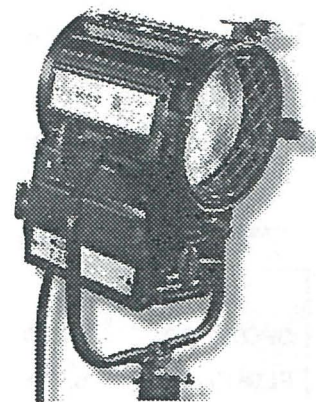


# HMI 1.2 kW Daylight Fresnel



- Improved light quality and output, producing flatter and more even field
- High quality, rugged, durable
- Corrosion resistant
- IP23 rated, so the unit can be used outdoors in humid conditions
- Compatibility of parts throughout the range
- A comprehensive range of accessories, interchangeable with existing Quartzcolor products
- Easy to service and maintain
- ON-OFF buttons, operated from both head and ballast
- Bonding eyes and rigging hooks
- Front and back focusing
- New focus system, easy to adapt from manual to pole operation and maintenance-free
- Quick release lamp holder
- Easy running barndoor ears
- Scratch resistant, black, non-reflective housing
- All heads supplied with barndoor, colour frame and head to ballast cable
- Meets all relevant international standards and regulations

### Operational data

#### Safety:

A microswitch system prevents the lamp operating if the front section is open.

25x25 mm wire mesh guard.

#### Accessory fitting:

Cast aluminium ears. Spring loaded top and lower catch for retention of accessories.

#### Tilt adjustment:

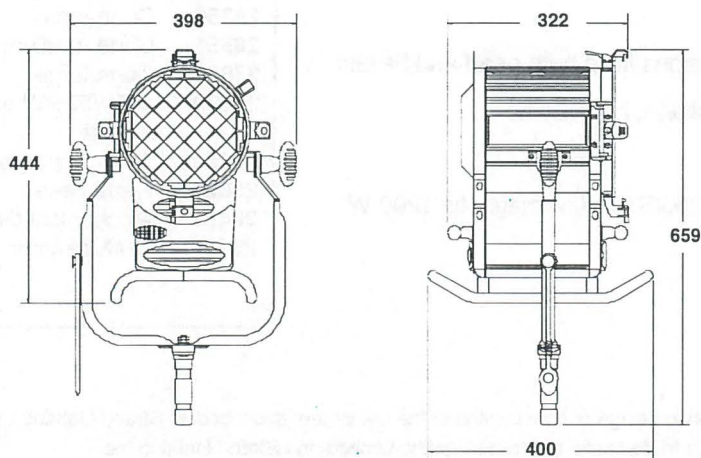
Pivot located at centre of gravity for excellent balance and positive locking.

#### Focus adjustment:

Front and rear focusing knob for smooth and precise action from spot to flood positions

#### Lamp access:

Hinged lens door allows easy access for lamp replacement.



[ mm ]

### Weights & dimensions

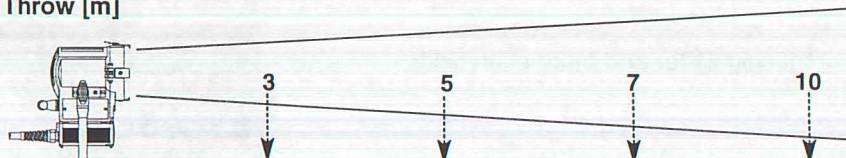
<b>Lens diameter</b>	175 mm SF	<b>Weight (head+stirrup+skid)</b>	12.5 kg	<b>Packed volume</b>	510x460x540 mm
<b>Accessory diameter</b>	250 mm	<b>Packed weight</b>	17.5 kg	<b>Ballast dimensions</b>	
<b>Filter cut size</b>	195x195 mm			<b>p/n 25030</b>	172x220x283 mm - 6.5Kg
				<b>p/n 25230</b>	353x246x170 mm - 20Kg



### Photometric data

Typical performance based on 1200 W HMI lamp:

Throw [m]



	Lux	φ [m]	Lux	φ [m]	Lux	φ [m]	Lux	φ [m]
SPOT (5.8°)	77,670	0.3	27,960	0.5	14,270	0.7	6,990	1
FLOOD (60.5°)	5,110	3.4	1,840	5.8	940	8.1	460	11.6

### Mechanical data

**Paint / Finish:** Powder coated epoxy paint with special extra high temperature treatment in critical areas. External textured low gloss finish

**Lamp house** Stainless steel with aluminium extrusions and die cast components

**Lamp holder** High voltage with quick release pin clamping

**Mounting:** Robust tubular steel stirrup with standard EURO spigot

### Environmental Data

**Max operating ambient temperature:** 45°C

**IP Rating:** IP 23

**Tilt recommended angle of use:** -60° / 0 / 60°

### Electrical data

**Switching:** ON/OFF double pushbuttons from both head and ballast

**Ignitor:** Small, compact, high voltage, hot restrike

**Ignition voltage:** 50 kV

**Ballasts:** Electronic flicker-free, 1200/575 W or magnetic 1200 W

**Standards compliance:** CE marking

### Lamp data

**HMI/MSR 1200W single ended**

**LCL [mm]** 107

**Base** G38

**Lumens** 110,000

**Rated life hours [H]** 1000

**Colour temp. [K]** 5600

### Ordering information

Cat No	Description
27907	HMI 1.2 kW bare head with stirrup
27050	HMI 1.2 kW supplied with stirrup, colour frame, 4 leaf rotating barndoor, 7.5 metre extension cable

### Optional accessories

Cat No	Description
28859	Colour frame
28050	4 leaf barndoor
28203	7.5 m extension cable
28204	15 m extension cable
28304	Scrim set (one double scrim, one single scrim, one half double scrim, one half single scrim)
28850	Cone small
28851	Cone medium
28852	Cone large
25030	1200/575 W electronic ballast
25230	1200 W magnetic ballast
28821	Flight case
28401	Mechanical dimmer
28402	DMX dimmer

The Company reserves the right to make any variation in design or construction to the equipment described. © Strand Lighting Ltd 1998. Strand™, Strand Lighting™, Strand Quartzcolor™ are trade marks of Strand Lighting Limited and Strand Lighting Inc.

Strand Lighting Ltd North Hyde House Hayes Rd Heston Middx UB2 5NL UK Tel: +44 (0)181 571 3588 Fax: +44 (0)181 571 3305  
 Strand Lighting GmbH Ullsteinstrasse 114-142 D-12109 Berlin Germany Tel: +49 (0) 30/70 79 51 0 Fax: +49 (0) 30/70 79 519 9  
 Strand Lighting Italia srl Via delle Gardenie 33 00040 Pomezia-Roma Italy Tel: +39 06 91963.1 Fax: +39 06 9147136  
 Strand Lighting Asia Ltd 7/F Corporation Square 8 Lam Lok Street Kowloon Bay Hong Kong Tel: +852 2757 3033 Fax: +852 2757 1767

LONDON - BERLIN - ROME - PARIS - MOSCOW - LOS ANGELES - NEW YORK - TORONTO - HONG KONG